

Express Push/Pull cable with and without T-Grip

Flexible power transmission at its best



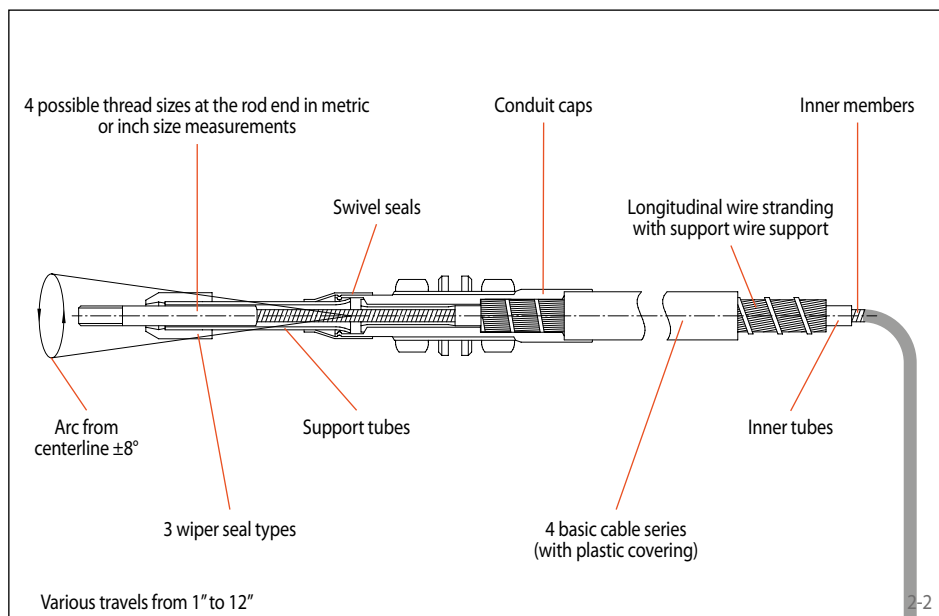
Issue 06/2026 · Technical details subject to change without notice.

E07.013e

Express Push/Pull cable

with T-Grip 284-V-NL/T05M-3

without T-Grip 284-V-T05M/T05M-3



Product overview

RINGSPANN RCS Express Push/Pull cable have been developed for demanding industrial applications where precise, reliable and flexible power transmission is required.

Specially optimised internal and external components ensure low slip-stick effect, high robustness and a long service life.

Features

- Advanced Bowden cable for push and pull forces
- Extremely smooth-running inner member thanks to the PTFE coating
- Small bending radii (min. bending radius 51 mm)
- Low-friction lifetime lubrication for consistent performance
- Stainless steel end parts for a long service life
- High temperature resistance for use at temperatures up to 90° C

Setup

The inner member consists of a flat-wire-reinforced inner structure, guided through an internal tube and comprising longitudinally arranged wires. These are stabilised by a support wire winding. A plastic extrusion serves as the outer protective layer.

Advantages of the special design:

- High resistance to bending
- Runs very smoothly
- Effective protection against external factors
- Safety in harsh environments

Areas of application

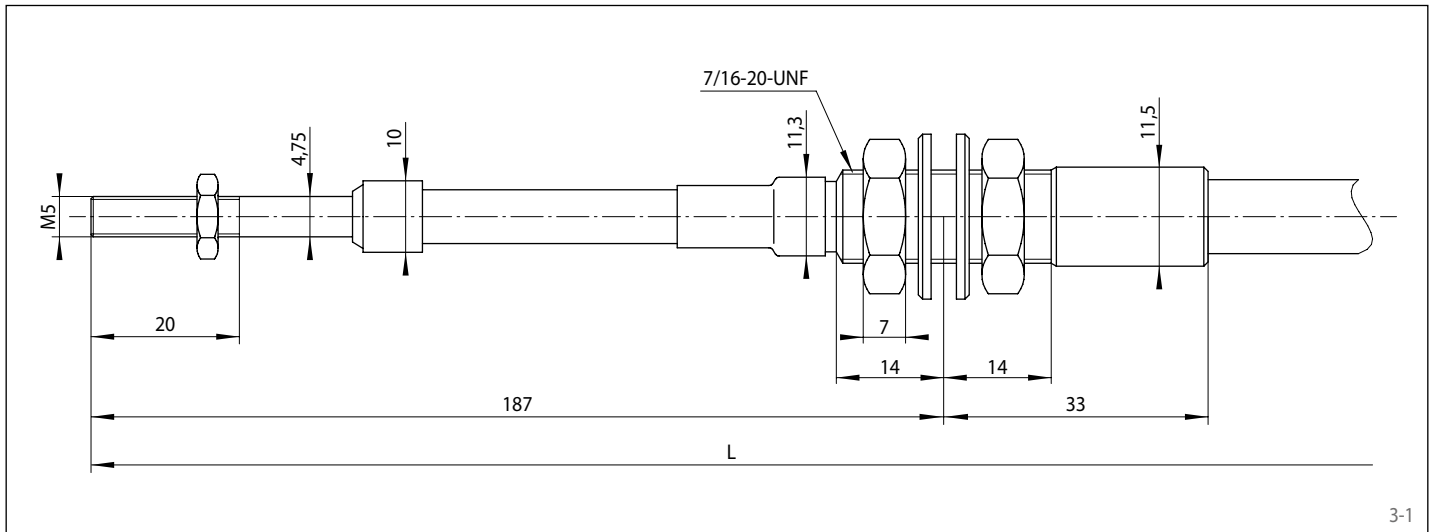
- Damper and mechanism actuators
- Ventilation and locking systems
- Applications involving pneumatics and hydraulics
- Mechanical engineering / Special-purpose machinery manufacturing
- Vehicles, equipment manufacturing, medical technology
- Power transmission between moving components in limited space

Express Push/Pull cable

with T-Grip 284-V-NL/T05M-3

without T-Grip 284-V-T05M/T05M-3

Express Push/Pull cable – Standard version (without T-Grip) Type: 284-V-T05M/T05M-3



Performance data:

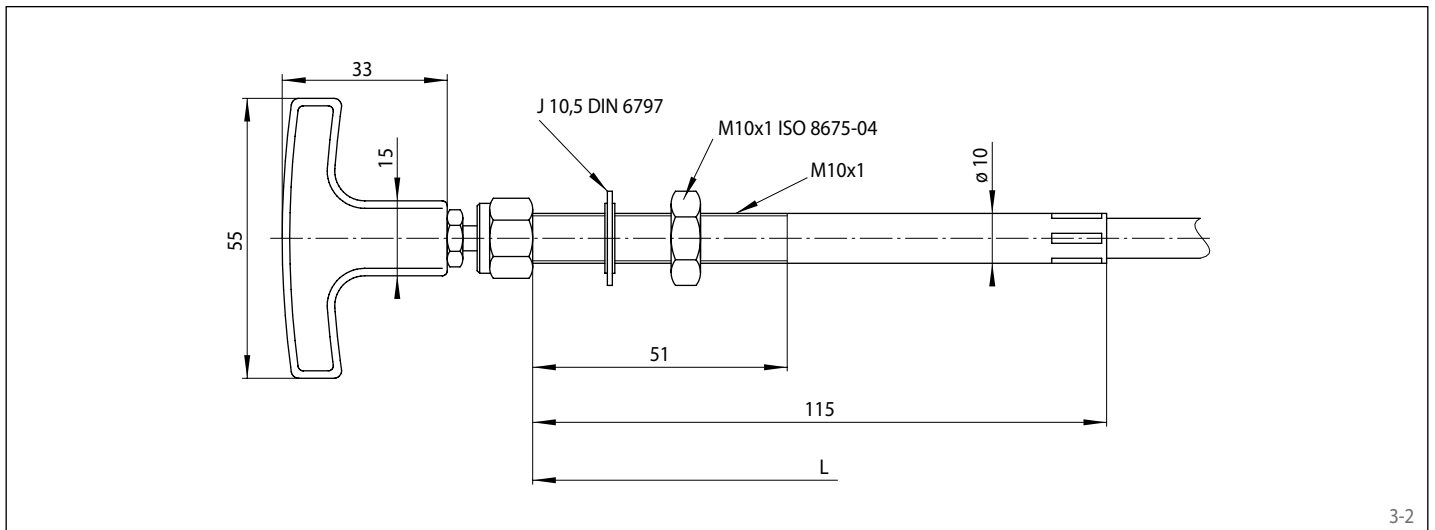
- Push force: 320 N (~ 32 kg)
- Pull force: 540 N (~ 54 kg)
- Travel: 76 mm (~ 3")
- End parts: M5 thread
- Cable fixture: \varnothing 12 mm (7/16-20 UNF nuts included)

Key features:

- Greater power transmission (compared to the T-Grip version)
- Stainless steel end parts

Cable length L cm	Article number
100	4582-193931-S30100
150	4582-193931-S30150
200	4582-193931-S30200
250	4582-193931-S30250
300	4582-193931-S30300
400	4582-193931-S30400
500	4582-193931-S30500

Express Push/Pull cable – Version with T-Grip Type: 284-V-NL/T05M-3



Performance data:

- Push force: 200 N (~ 20 kg)
- Pull force: 250 N (~ 25 kg)
- Travel: 76 mm (~ 3")
- Aluminium T-Grip cap, connection thread M10x1
- Moving end part: M5 thread
- Cable fixture: \varnothing 12 mm (7/16-20 UNF nuts included)

Key features:

- Ergonomic, sturdy T-Grip
- Ideal for manual operation

Cable length L cm	Article number
100	4582-102931-S30100
150	4582-102931-S30150
200	4582-102931-S30200
300	4582-102931-S30300

Germany

RINGSPANN RCS GmbH

Hans-Mess-Straße 7, 61440 Oberursel, Germany
+49 6172 67 68 50
info@ringspann-rcs.de
www.ringspann-rcs.de

Italy

RINGSPANN Italia S.r.l.

Via A.D. Sacharov, 13, 20812 Limbiate (MB), Italy
+39 02 93 57 12 97
info@ringspann.it
www.ringspann.it

Sweden, Finland, Denmark,
Norway, Baltic states**RINGSPANN Nordic AB**

Industrigatan 10A, 619 33 Trosa, Sweden
+49 6172 275 170
info@ringspann.se
www.ringspann.se

France

RINGSPANN France S.A.

23 rue Saint-Simon, 69009 Lyon, France
+33 4 78 83 59 01
info@ringspann.fr
www.ringspann.fr

Netherlands, Belgium, Luxembourg

RINGSPANN Benelux B.V.

Nieuwenkampsmaten 6-15, 7472 DE Goor,
Netherlands • +31 547 26 13 55
info@ringspann.nl
www.ringspann.nl

Switzerland

RINGSPANN AG

Sumpfstrasse 7, P.O. Box, 6303 Zug,
Switzerland • +41 41 748 09 00
info@ringspann.ch
www.ringspann.ch

Great Britain, Ireland

RINGSPANN (U.K.) LTD.

3, Napier Road, Bedford MK41 0QS, Great Britain
+44 1234 34 25 11
info@ringspann.co.uk
www.ringspann.co.uk

Austria, Czech Republic,
Hungary, Slovakia, Slovenia**RINGSPANN Austria GmbH**

Triesterstraße 21, 2620 Neunkirchen, Austria
+43 26 35 624 46
info@ringspann.at
www.ringspann.at

Spain, Portugal

RINGSPANN IBERICA S.A.

C/Uzbina, 24-Nave E1, 01015 Vitoria, Spain
+34 945 22 77-50
info@ringspann.es
www.ringspann.es

Asia

Australia, New Zealand

RINGSPANN Australia Pty Ltd

10 Network Drive, Carrum Downs Vic 3201,
Australia • +61 3 9069 0566
info@ringspann.com.au
www.ringspann.com.au

India, Bangladesh, Nepal

RINGSPANN Power Transmission India Pvt. Ltd.

GAT No: 679/2/1, Village Kuruli, Taluka Khed, Chakan-
Alandi Road, Pune - 410501, Maharashtra, India
+91 21 35 67 75 00 • info@ringspann-india.com
www.ringspann-india.com

South Korea

RINGSPANN Korea Ltd.

33 Gojae-17 Ghil Dongnam-gu, 31187 Cheonan-si
Chungnam, South Korea • + 82 10 54961 368
info@ringspann.kr
www.ringspann.kr

China, Taiwan

RINGSPANN Power Transmission (Tianjin) Co., Ltd.

No. 21 Gaoyan Rd., Binhai Science and Technology
Park, Binhai Hi-Tech Industrial, Development Area,
Tianjin, 300458, P.R. China • +86 22 5980 31 60
info.cn@ringspann.cn
www.ringspann.cn

Singapore, ASEAN

RINGSPANN Singapore Pte. Ltd.

143 Cecil Street, #17-03 GB Building,
Singapore 069542 • +6012 589 8975
info@ringspann.sg
www.ringspann.sg

America

Chile, Peru, Colombia, Ecuador

RINGSPANN Sudamérica SpA

Isidora Goyenechea 3365, Piso 11, 8320000
Las Condes, Santiago-Región Metropolitana,
Chile • +56 9 9147 2833
info@ringspannsudamerica.com
www.ringspannsudamerica.com

USA, Canada, Mexico

RINGSPANN Corporation

10550 Anderson Place, Franklin Park, IL 60131, U.S.A
+1 847 678 35 81
info@ringspann.us
www.ringspanncorp.com

Africa and Middle East

Maghreb, West Africa

RINGSPANN France S.A.

23 rue Saint-Simon, 69009 Lyon, France
+33 4 78 83 59 01
info@ringspann.fr
www.ringspann.fr

South Africa, Sub-Saharan

RINGSPANN South Africa (Pty) Ltd.

96 Plane Road Spartan, Kempton Park,
P.O. Box 8111, Edenglen 1613, South Africa
+27 11 394 18 30
info@ringspann.co.za
www.ringspann.co.za