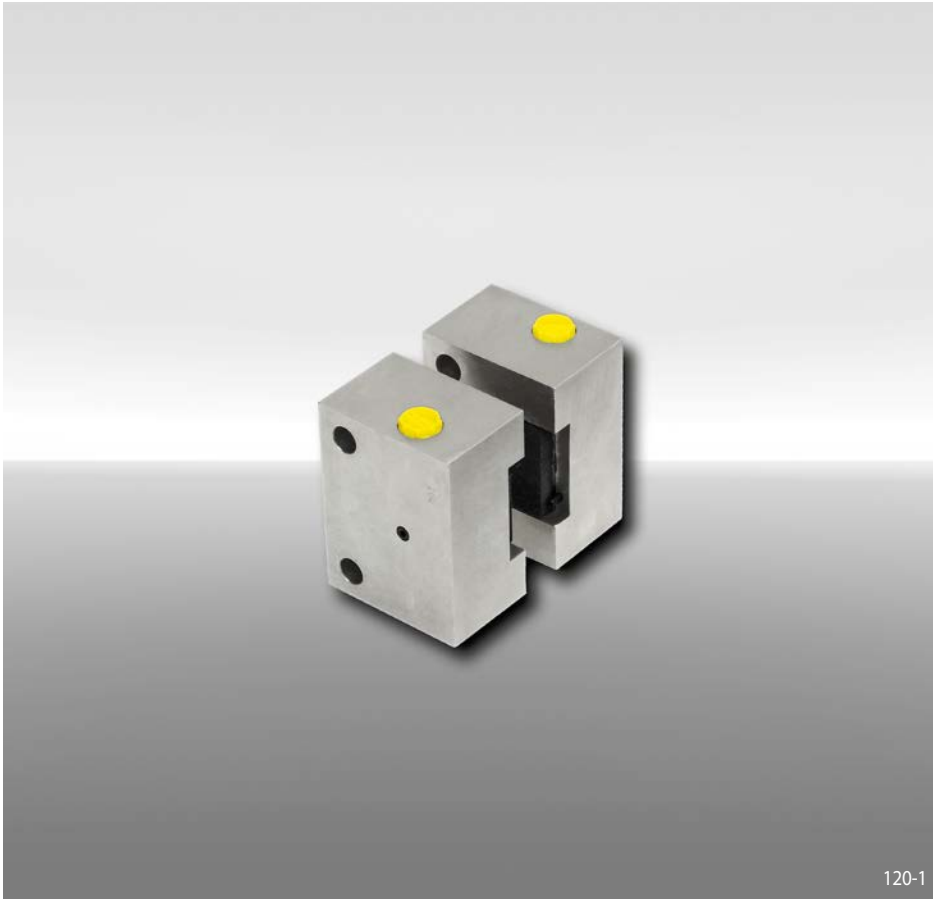


# Brake Caliper HW 040 HFA

hydraulically activated – spring released



## Features

Features	Code
Brake Caliper	H
Standard	W
Frame size 040	040
Hydraulically activated	H
Spring released	F
Automatic adjustment to accommodate friction block wear	A
Max. clamping force 11 kN	011

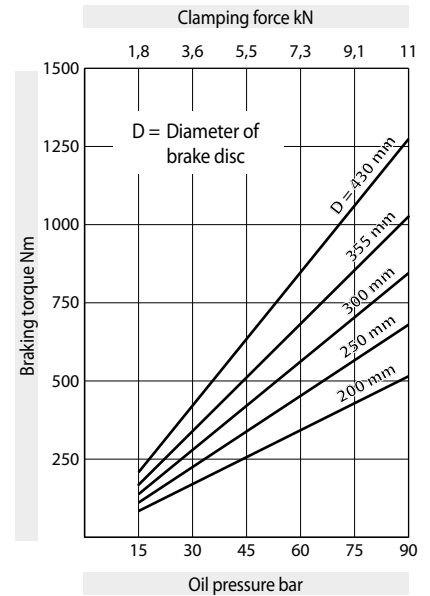
## Example for ordering

Brake Caliper HW 040 HFA, max. clamping force 11 kN:

HW 040 HFA - 011

120-1

## Technical Data



The braking torques shown in the diagram are based on a theoretical friction coefficient of 0,3.

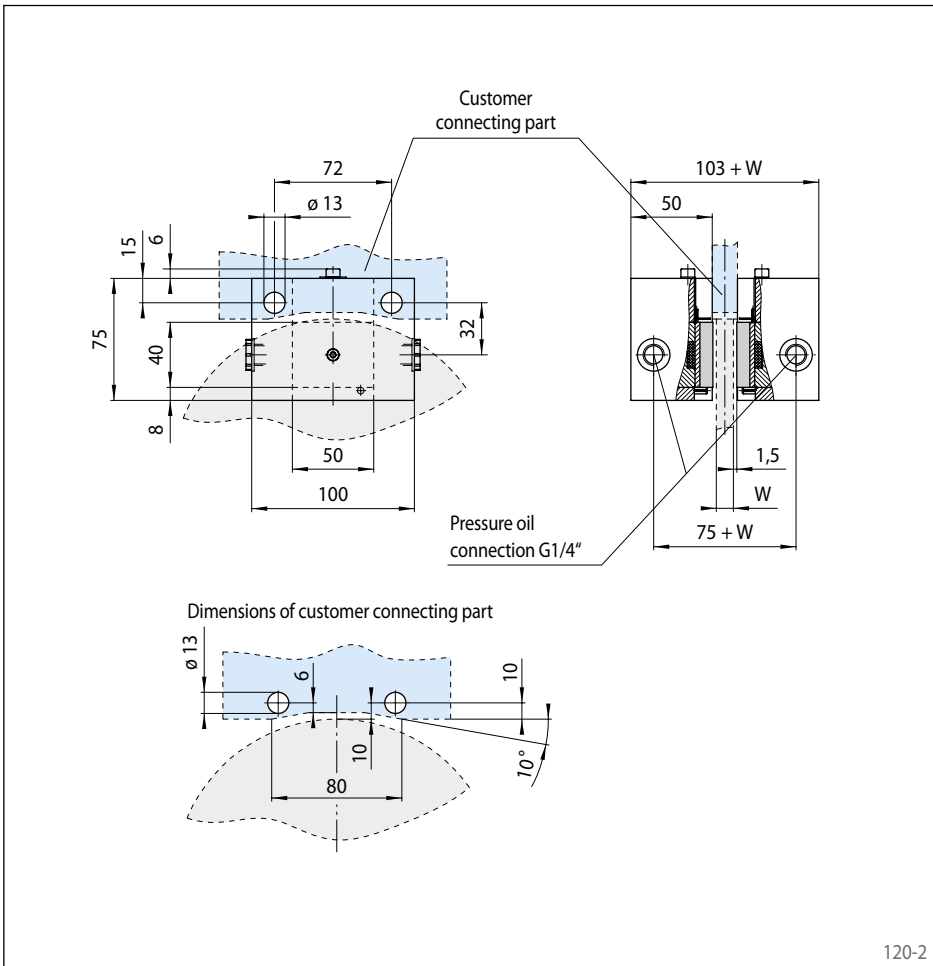
Oil pressure: min. 5 bar  
max. 90 bar

Oil volume: max. 20 cm<sup>3</sup>

Weight: 5,5 kg

## Other features

- The thickness of the customer connecting part results from the thickness of the brake disc W plus 3 mm



120-2