

Brake Caliper DT 630 FEA ... ST

spring activated – electrohydraulically released
 Drum Brake according to DIN 15 435



Features	Code
Brake Caliper	D
Drum Brake	T
Frame size 630	630
Spring activated	F
Electrohydraulically released	E
Automatic adjustment to accommodate friction block wear	A
Thrusters 455, 456 or 457 are available	455 456 457
Material: steel	ST

Example for ordering

Brake Caliper DT 630 FEA, thruster 457, material: steel

DT 630 FEA - 457 - ST

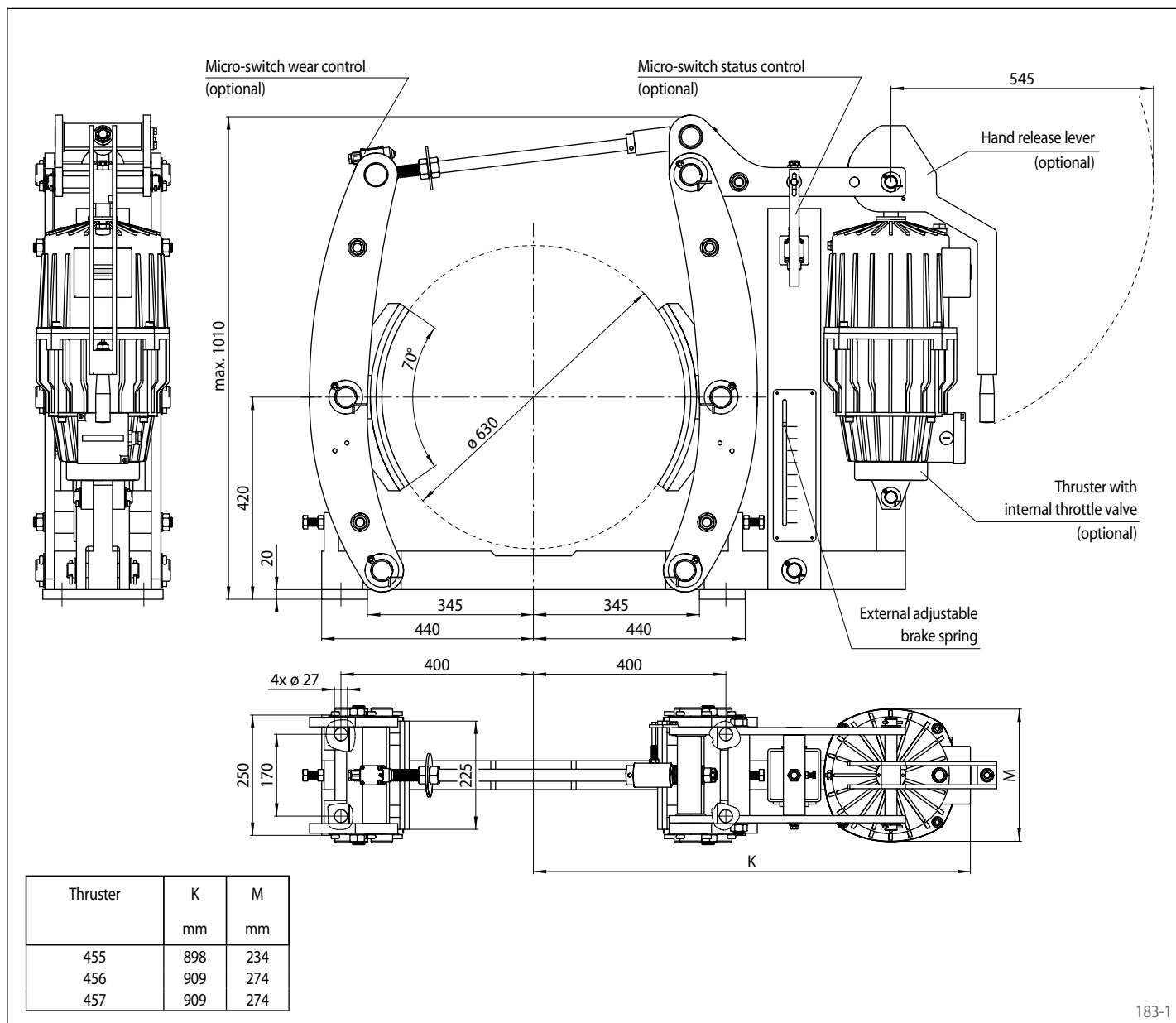
Technical Data

	Brake Caliper DT 630 FEA ... ST		
	with thruster 455	with thruster 456	with thruster 457
Brake drum diameter	Braking torque	Braking torque	Braking torque
mm	Nm	Nm	Nm
630	3 100	5 000	7 200
Clamping force	12 300 N	19 800 N	28 600 N
Braking torque adjustable	20 - 100%	20 - 100%	20 - 100%
Nominal power	370 W	590 W	680 W
Oil volume	4,5 l	11 l	11 l
Voltage	230/400 V	230/400 V	230/400 V
Weight	231 kg	257 kg	259 kg

The braking torques shown in the table are based on a theoretical friction coefficient of 0,4.

Brake Caliper DT 630 FEA ... ST

spring activated – electrohydraulically released
 Drum Brake according to DIN 15 435



Options

- Micro-switch wear control
- Micro-switch status control
- Hand release lever
- Thruster with internal throttle valve
- Thruster in heat resistant design
- Corrosion protected design
- Wider brake shoes and brake drums